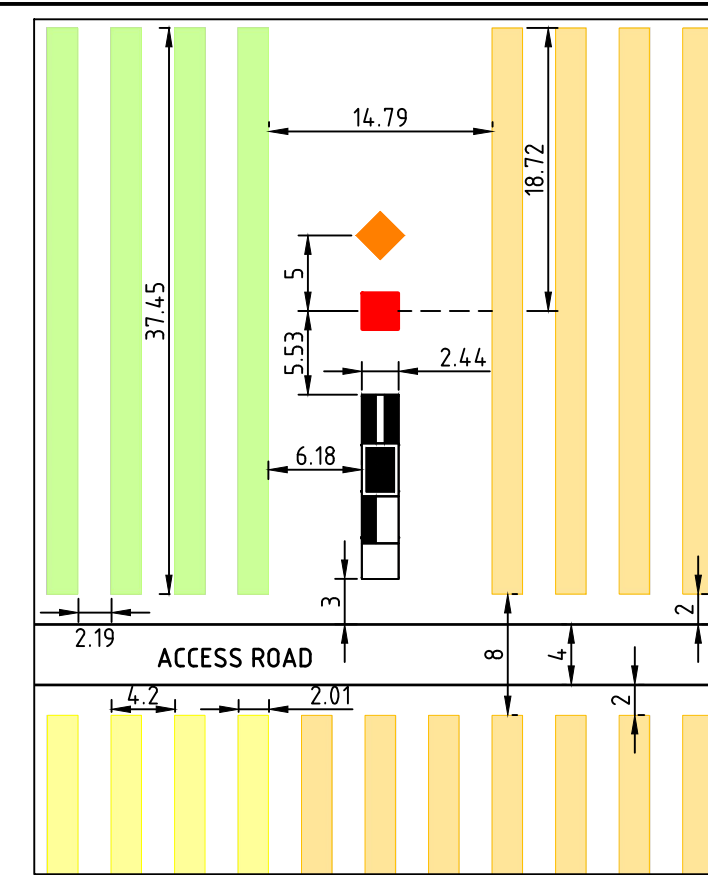


PCS 1 - 2 - 3 - 4 - 5 - 6 - 7 - 8 - 9 - 10 - 11
 PCS 12 - 13 - 14 - 15 - 16 - 17 - 18 - 19 - 20

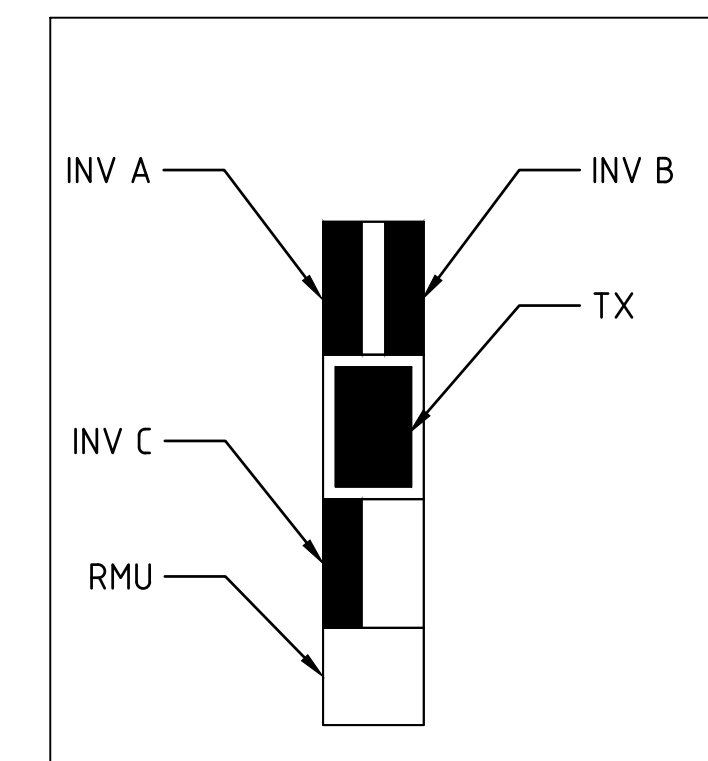
- LEGEND:**
- FENCE
 - TRANSMISSION LINE EASEMENT
 - POWER CONVERSION STATION (PCS)
 - 4.2m INTERNAL ACCESS TRACK
 - 6.2m MAIN ROAD ACCESS
 - PCS NUMBER
 - TRACKER MOTOR
 - EXOBOX
 - MET STATION

PCS No.	NO. OF TABLES	AZIMUTH	N-S SEPARATION (M)
1 - 2 - 3 - 5 - 6 - 7 - 10 - 11	432	10.1364°	2
4 - 8 - 9	429	10.1364°	2
12 - 13 - 14 - 15 - 16 - 17 - 18 - 19	429	9.3211°	1.5
20	432	9.3211°	1.5

EXOBOX WITH HMI	
PCS No.	1 - 4 - 8 - 12 - 14 - 18

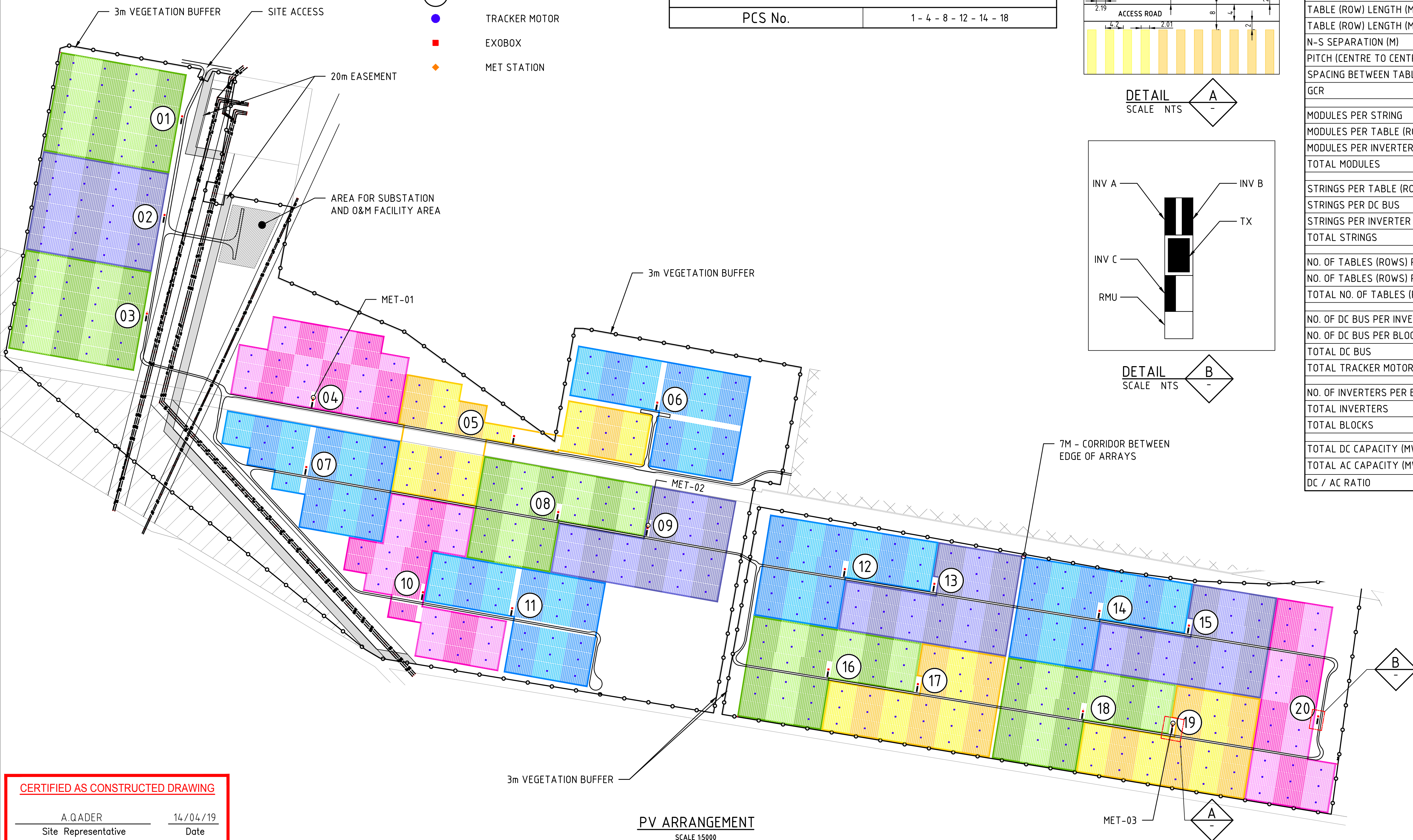


DETAIL A
SCALE NTS

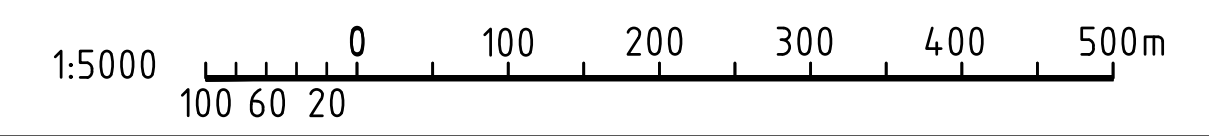


DETAIL B
SCALE NTS

SUMMARY - LAYOUT CONFIGURATION	
MODULES	LONGI SOLAR LR6-72PH
INVERTERS	INGTEAM 1640TL
TRACKERS	EXOSUN HZ V2
MODULES DIMENSION, (LENGTH) [M]	1.956
MODULES DIMENSION, (WIDTH) [M]	0.991
MODULE POWER, Wp	365W & 370W
MODULES ARRANGEMENT	1 MODULE IN PORTRAIT
TILT (DEGREE)	±50
AZIMUTH	9.3211° OR 10.1364°
TABLE (ROW) LENGTH (M) [MODULE TO MODULE]	35.042
TABLE (ROW) LENGTH (M) [INCLUDE STRUCTURE]	37.44
N-S SEPARATION (M)	1.5 or 2
PITCH (CENTRE TO CENTRE) (M)	4.200
SPACING BETWEEN TABLES (ROWS)	2.244
GCR	0.466
MODULES PER STRING	28
MODULES PER TABLE (ROW)	35
MODULES PER INVERTER	4,872 OR 5,040
TOTAL MODULES	300,552
STRINGS PER TABLE (ROW)	5 STRINGS PER 4 TABLES
STRINGS PER DC BUS	18 OR 20
STRINGS PER INVERTER	174 OR 180
TOTAL STRINGS	10,734
NO. OF TABLES (ROWS) PER DC BUS	15 OR 16
NO. OF TABLES (ROWS) PER INVERTER	141 OR 144
TOTAL NO. OF TABLES (ROWS)	8,607
NO. OF DC BUS PER INVERTER	9
NO. OF DC BUS PER BLOCK	27
TOTAL DC BUS	540
TOTAL TRACKER MOTORS	531
NO. OF INVERTERS PER BLOCK	3
TOTAL INVERTERS	60
TOTAL BLOCKS	20
TOTAL DC CAPACITY (MW _{dc}) @STC	110.904
TOTAL AC CAPACITY (MW _{ac}) @STC	98.220
DC / AC RATIO	1.1291



PV ARRANGEMENT
SCALE 1:5000



AS CONSTRUCTED

CERTIFIED AS CONSTRUCTED DRAWING

A.QADER 14/04/19
Site Representative Date

A.QADER 18/04/19
Design Representative Date

DRAWING TO BE SCALED FROM A1 SHEET

DRAWING TO BE PRINTED IN COLOUR

PLEASE NOTE

The information contained herein remains the property of Downer Utilities and is to be used only in conjunction with the performance of work for Downer Utilities. Reproduction in whole or part without written permission is expressly forbidden.



REV No	REVISION DESCRIPTION	DRAWN BY	APPR'D BY	CHECKED BY	DATE
3	AS CONSTRUCTED	AM	AH	CP	30/04/19
2	MET STATION LOCATIONS UPDATED	AM	AH	CP	08/02/19
1	TABLE REVISED BASED ON MODULE CHANGE	AM	AH	CP	30/11/18
0	ISSUED FOR CONSTRUCTION	AM	AH	CP	28/09/18



CLIENT: FIRST SOLAR	PROJECT: BERYL SOLAR FARM
DRAWN BY: A.MCLELLAND 25/05/2018	DESIGNED BY: A.QADER 25/05/2018
DRG. CHECKED BY: R.MCKINLEY 30/04/2019	DES. CHECKED BY: C.PARFITT 30/04/2019
CAD FILE No: BESF-PV-001-01[3].dwg	APPROVED: A.HERRERA 30/04/2019
TITLE: OVERALL SITE LAYOUT PV ARRANGEMENT	SCALE: 1:5000
DRAWING No: BESF-PV-001-01	JOB CODE: 24120135
SHEET SIZE: A1	REVISION: 3

FILE: C:\Users\valma.mcl... \AppData\Local\Temp\AcPublish... 291944.BESF-PV-001-01[3].dwg
 PLOT DATE: 30 April, 2019 - 11:51am